



General Certificate of Secondary Education
2019

Centre Number

--	--	--	--	--

Candidate Number

--	--	--	--

Physics

Unit 3: Practical Skills

Booklet A

MV18

Foundation Tier

[GPY31]

Time

2 hours, plus your additional time allowance.

Instructions to Candidates

Write your Centre Number and Candidate Number in the spaces provided at the top of this page.

Write your answers in the spaces provided in this question paper.
Answer **all** questions.

Information for Candidates

The total mark for this paper is **30**.

Figures in brackets printed at the end of each question indicate the marks awarded to each question or part question.

Follow all health and safety instructions.

You may use a ruler and calculator if required.

The apparatus and materials required to complete the task(s) are provided.

For Teacher Use Only

In Experiment 2, it is assumed that the candidate was given help to complete the circuit. If this is **not** the case please tick the box below.

No help was given

BLANK PAGE

(Questions start overleaf)

You must wear safety glasses when carrying out this experiment.

Experiment 1 Motion down a ramp

Introduction

When a ball-bearing or marble is released from the top of a ramp its speed will increase.

In this experiment you will investigate the motion of a ball-bearing or marble down a ramp.

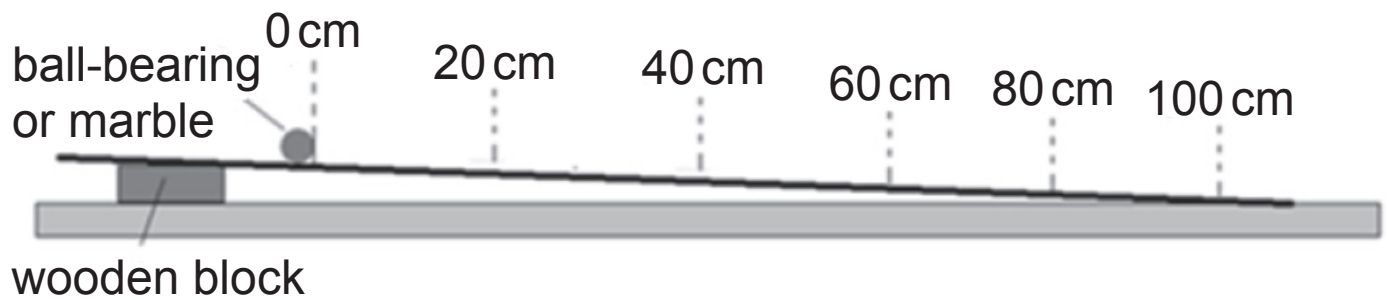
Aims

The aim of the experiment is to measure the **average speed** of the ball-bearing or marble after it has moved a measured distance down the ramp.

You will repeat this process for increasing distances, from 20 cm to 100 cm, in steps of 20 cm.

You will plot and draw a graph to show how the average speed depends on the distance the ball-bearing or marble has moved down the ramp.

Apparatus



The apparatus shown in the diagram above has been set up for you.

Lines have been drawn on the ramp at 0 cm, 20 cm, 40 cm, 60 cm, 80 cm and 100 cm.

A wooden block has been placed under the ramp. This gives a **fixed ramp height**.

You must not change the height of the ramp.

Procedure

During Steps 1 and 2 you can carry out the practical activity individually or in a group of two or three.

Step 1

Record the time it takes the ball-bearing or marble to move from 0 cm to 20 cm.

Repeat the measurement of time to obtain three values.

Record your measurements in the table on page 7.

Record your measurements to **two decimal** places.

[1 mark]

Step 2

Repeat the process outlined in step 1 for 0 to 40 cm, 0 to 60 cm, 0 to 80 cm and 0 to 100 cm.

Record your measurements in the table on page 7.

Record your measurements to **two decimal** places.

[2 marks]

Results

Table 1

Distance travelled down the ramp/cm	First time/s	Second time/s	Third time/s
20			
40			
60			
80			
100			

When you have taken all the measurements, or when your teacher tells you that 30 minutes are over, stop using the apparatus.

To complete the remainder of this assessment you must work alone.

Your teacher will direct you to a place in the room to do this.

BLANK PAGE

For the remainder of Experiment 1 you must work alone.

Analysis of your data

The analysis of your data will involve calculating the average time it takes the ball-bearing or marble to travel measured distances down the ramp. You will then use this average time to calculate an average speed for the ball-bearing or marble as it travels each measured distance down the ramp.

Follow steps 3 and 4 on page 10 overleaf and use **Table 2** on page 11 for your calculations.

Step 3

Using your measurements from **Table 1** on page 7, calculate the average time for each distance travelled.

Record your measurements in column 1 of **Table 2** on page 11, to which you should add a heading with unit. Record your measurements to **two decimal** places.

A space has been left for your calculations. [3 marks]

Step 4

Using your value of the average time, calculate the average speed for each distance travelled.

Record your measurements in column 2 of **Table 2** on page 11, to which you should add a heading with unit.

Record your measurements to **two decimal** places.

The space opposite has been left for your calculations.

Show clearly your calculations.

Write the equation you plan to use in the box below.

[3 marks]

Calculations

Table 2

	Column 1	Column 2
Distance travelled down the ramp/cm		
20		
40		
60		
80		
100		

Interpretation of your data

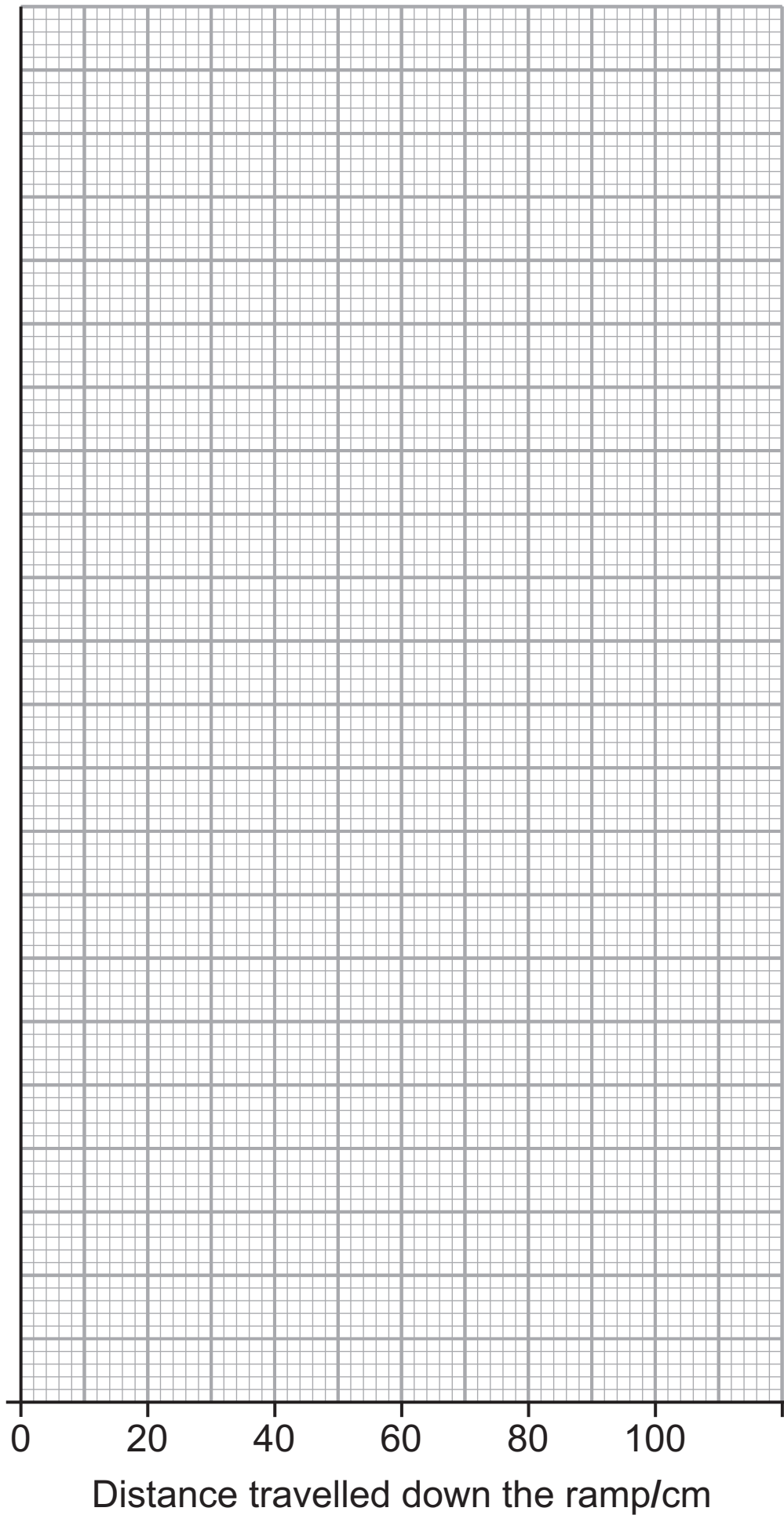
- 1 Use the grid on page 13 to plot a graph of the **average speed** of the ball-bearing or marble against the **distance** it has travelled down the ramp.
The x-axis has been labelled for you.
Label the y-axis, including the unit.
Choose a suitable scale for the y-axis that allows you to use most of the grid. [4 marks]
- 2 Draw a smooth curve through your points. [1 mark]
- 3 Is the average speed of the ball-bearing or marble proportional to the distance it has travelled down the ramp?
Explain your answer. [1 mark]

Circle your answer

YES

NO

Explanation _____



Experiment 2 Electrical resistance

Introduction

The current passing through a coil of wire depends on the voltage applied across the wire. The wire has electrical resistance.

Aims

The aim of the experiment is to obtain the voltage and current measurements for a metal wire at constant temperature.

You will calculate the resistance of a coil of wire using your measurements of voltage and current.

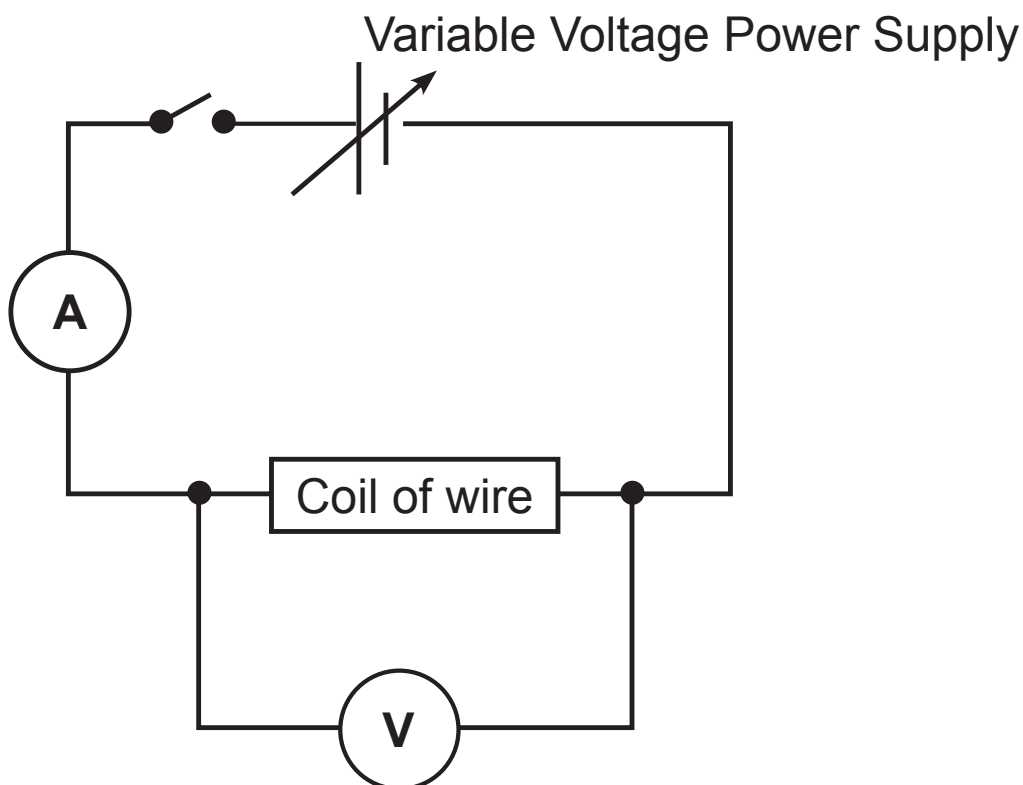
Using the measurements, you will decide if the resistance of the coil of wire has remained constant during the experiment.

Apparatus

The diagram below shows a circuit.

Part of the circuit has already been built for you.

You will complete the circuit by adding the ammeter.



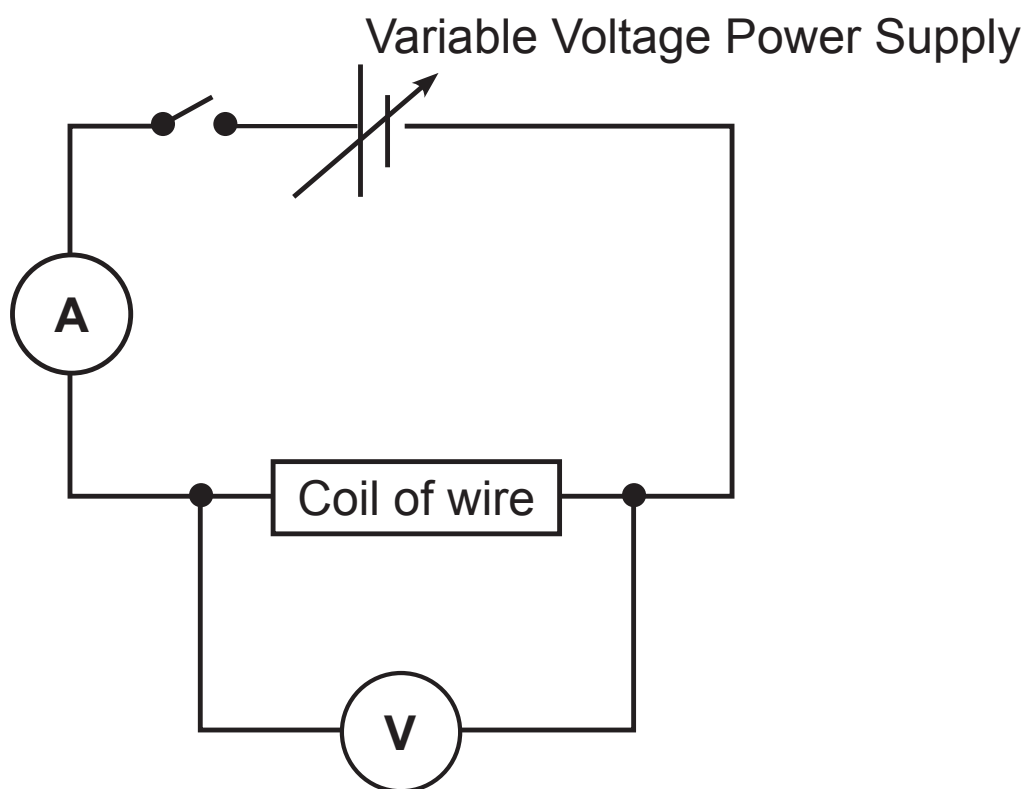
Procedure

During Steps 1, 2 and 3 you can carry out the practical activity individually or in a group of two or three.

Step 1

Using the apparatus complete the circuit by adding the ammeter.

Before proceeding have your teacher check your circuit. [1 mark]



Step 2

Remember the aim of this experiment is to obtain the voltage and current measurements for the coil of wire at constant temperature.

Add headings with units to columns 1 and 2 of the table opposite.

Close the switch and measure the voltage and current.

Record your measurements in columns 1 and 2 of the table opposite.

Record your measurements to **one decimal** place.

Open the switch.

You must switch off the current for a short time to allow the coil of wire to cool. [4 marks]

Step 3

Close the switch.

Increase the voltage by approximately 1.0V by adjusting the output of the power supply.

Measure the new voltage and current and record your measurements in **Table 3** on page 17.

Record your measurements to **one decimal** place.

Open the switch after you take each measurement of voltage and current.

You must switch off the current for a short time to allow the coil of wire to cool.

Repeat until you have **5 sets of voltage and current.**

Do not exceed 6.0V.

Switch off the power supply when you have taken all your measurements. [4 marks]

Results

Table 3

Column 1	Column 2

When you have taken all the measurements, or when your teacher tells you that 30 minutes are over, stop using the apparatus.

To complete the remainder of the assessment you must work alone.

Your teacher will direct you to a place in the room to do this.

For the remainder of Experiment 2 you must work alone.

Analysis of your data

- 1 Using your measurements from Table 3, calculate the resistance and enter your values in Table 4 on page 19. Ensure you have added a heading with units to the table. Record your calculations to one decimal place. Ensure you record the resistance in order of increasing voltage.**

The space below has been left for your calculations. Show clearly your calculations, starting with the equation you plan to use. [3 marks]

Calculations

Table 4

Interpretation of your data

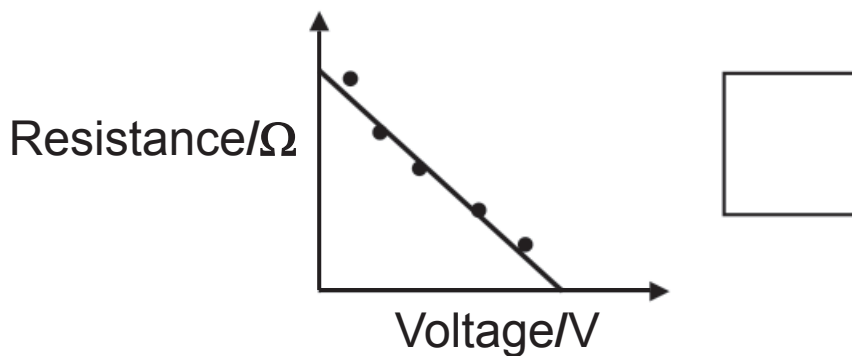
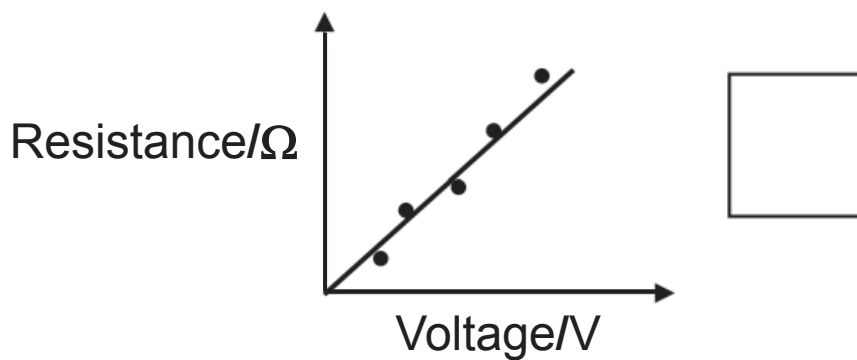
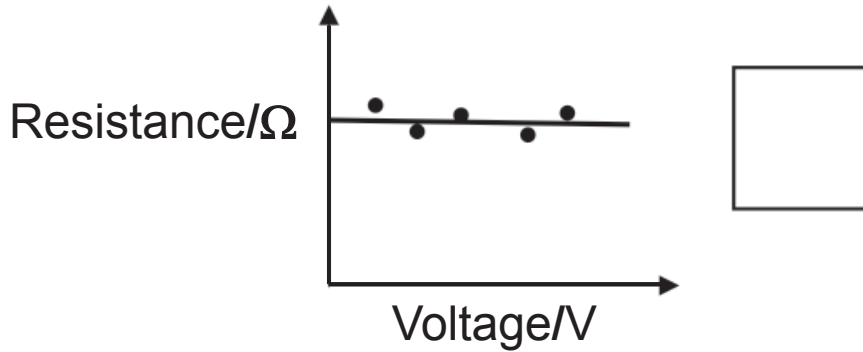
- 2 If the values for the resistance differ by more than 1Ω we say the resistance has changed significantly as the voltage is increased.

Has the resistance of the coil of wire changed significantly as the voltage is increased? [1 mark]

- 3 Depending on your answer to question 2 answer either part **A** or part **B**. [1 mark]

Part A	Part B
Explain why the resistance has not changed significantly.	Explain why the resistance has changed significantly.

- 4 The diagrams below show three graphs.
Which one shows how the **resistance** of the metal varies with the voltage at constant temperature?
Tick (✓) the correct graph. [1 mark]



THIS IS THE END OF THE QUESTION PAPER

SOURCES

Q1 Source: *Chief Examiner*

For Examiner's use only	
Question Number	Marks
Experiment 1	
Steps 1–4	
1	
2	
3	
Experiment 2	
Steps 1–3	
1	
2	
3	
4	
Total Marks	

Permission to reproduce all copyright material has been applied for.
In some cases, efforts to contact copyright holders may have been unsuccessful and CCEA will be happy to rectify any omissions of acknowledgement in future if notified.



Rewarding Learning

**General Certificate of Secondary Education
2019**

Physics

Unit 3A: Practical Skills

Booklet A

Foundation Tier

[GPY31]

APPARATUS AND MATERIALS LIST AND CONFIDENTIAL INSTRUCTIONS

It is the responsibility of the centre to ensure that appropriate risk assessments are carried out for all practical skills assessments.

Confidential Instructions

1 Requirements for the practical assessment

Three copies of each of the Apparatus and Materials List and Confidential Instructions for the specifications entered by a centre will be delivered to centres at the beginning of November each year for the GCSE Science specifications based on estimated entries made in September for the Year 12 cohort who will be entering for the practical unit in the following summer series. These will be held securely by the Examinations Officer but can be accessed by the Head of Department immediately. The Head of Department can liaise with the relevant technician(s) to order and set up the apparatus and materials as appropriate but ensure the document is held securely when not in use.

All apparatus should be checked before the examination, and there should be an adequate supply of spare apparatus in case of breakages. The Apparatus and Materials List should be regarded as a minimum and there is no objection to candidates being supplied with more than the minimum amount of apparatus and materials. Upon request, a candidate may be given additional quantities of materials without penalty. No notification need be sent to CCEA.

Centres are responsible for providing their own apparatus and materials to conduct the assessments. Practical Skills Booklet A will be delivered to centres in hard copy in the December dispatch and should be held securely by the Examinations Officer until requested by the Head of Department. Booklet A can be completed by candidates from 2nd January until the first Friday in June each year.

For the practical unit (Separate Sciences: Unit 3; Double Award Science: Unit 7; Single Award Science: Unit 4) candidates must be entered at the same tier for all components within the unit. When Booklet A has been completed for a specification, the tier of entry for the practical unit can no longer be changed for each individual candidate.

Please note: The Biology Practical Skills Assessments (Double Award Biology and GCSE Biology only) may have slightly different instructions to be followed when an extra practical set-up session is required. See section 8.

2 Confidentiality

The instructions contained in this document are for the use of the Head of Department **and are strictly confidential**. Under no circumstances may information concerning apparatus or materials be given before the examination to a candidate or other unauthorised person.

It is the responsibility of the centre to ensure that there should be no communication between candidates taking different sessions regarding the practical assessment both within the centre and with other centres. The JCQ regulations on the use of social media (Information for Candidates – Social Media) must be explained to candidates in advance of completing Booklet A.

3 Health and Safety

Appropriate safety advice should be sought from CLEAPSS for the conduct of all practical tasks by the Head of Department when completing their Risk Assessment in advance of the practical sessions.

Clear instructions must be given by the Supervising Teacher to all candidates at the beginning of the examination concerning appropriate safety procedures and precautions. The Supervising Teacher is also advised to remind candidates that all materials in the examination must be treated with caution. **Only those tasks specified in Booklet A should be attempted. Candidates must not attempt any additional confirmatory tasks.** Anything spilled on the skin should be washed off immediately with plenty of water. The use of appropriate eye protection is essential. The Supervising Teacher is reminded that they may not assist candidates during the examination. However if, in the opinion of the Supervising Teacher, a candidate is about to do something which may endanger him/herself or others, the Supervising Teacher must intervene. A full written report must be sent to CCEA immediately by email to the appropriate Subject Officer.

4 JCQ Regulations

All JCQ instructions for conducting examinations should be followed for this practical examination including displaying JCQ posters with examination information in the laboratory and removal of mobile phones. Posters should be available from your Examinations Officer.

Students who really need to leave the examination room during the assessment should be supervised according to the JCQ regulations for external examination conduct.

5 Timetabling, accessing, trialling and storing Booklet A

The School Examinations Officer will receive hard copies of Booklet A based on estimated entries in the December dispatch. The Examinations Officer will hold these securely **at all times**. They will not be released to any other member of staff. However, the **Supervising Teacher** may request **one** copy of Booklet A **three working days** in advance of carrying out the practical assessment with their class in order to trial it to ensure that the materials work as they should, to plan their classroom management of the practical session and to carry out a risk assessment. This copy of Booklet A should be returned to the Examinations Officer for secure storage immediately after trialling and should not be photocopied. Teachers should keep a set of results (and repeats if necessary) from their teacher trial to give to candidates in the event of an emergency. In these circumstances, a report should be sent to the Subject Officer with specification responsibility by email who will decide if a special consideration application is applicable (All Double Award Science reports of special circumstances should be directed to Elaine Lennox and all Single Award Science reports should be directed to Gavin Gray).

On the day of the practical assessment, the Supervising Teacher will request the required number of copies of Booklet A for their class and these must be held securely until the practical session begins. After the practical session is complete, the booklets must be collected from the candidates by the Supervising Teacher, collated in order of Candidate Number (lowest to highest) and returned immediately to the Examinations Officer for secure storage until they are collected by CCEA on the first Friday in June each year to be marked externally.

Completing Booklet A

- Multiple sessions are permitted to accommodate all candidates within the centre. Centres do not have to accommodate all their candidates to carry out the practical assessment on the same day. The Supervising Teacher can decide in which order the candidates should attempt the practical tasks and can manage the session to accommodate the resources available within the centre.
- A suitable laboratory must be reserved for the examination and kept locked throughout the period of preparation and clearance afterwards. Unauthorised persons not involved in the preparation for the examination must not be allowed to enter. Candidates must not be admitted until the specified time for commencement of the examination.
- All used and unused booklets must be returned to the Examinations Officer for secure storage immediately following the session. Unused booklets may be returned to the Head of Department after the first Friday in June each year.
- Foundation and Higher Tier candidates may carry out the practical assessment in the same room, but they may only work with others taking the same tier.

6 Invigilation

For invigilating the practical skills assessment, regulations and conditions set out in the most recent JCQ *Instructions for Conducting Examinations* should be adhered to.

An appropriate science teacher (Supervising Teacher) must be present with an invigilator during the assessment to ensure compliance with health and safety regulations and deal with any technical difficulties that may arise unexpectedly. An invigilator may be any adult in the employment of the school that is not the science teacher of the candidates, for example, this might be another teacher, science technician or teaching assistant. The invigilator should remain with the candidates for the full duration of the assessment and must have read the regulations around invigilating examinations as outlined in JCQ *Instructions for Conducting Examinations*.

The Supervising Teacher should ensure that candidates are supplied with a Booklet A for their correct tier of entry (Foundation Tier papers will be buff coloured and Higher Tier papers will be printed on white paper).

7 Controls for carrying out Booklet A

The practical assessment must be completed under a high level of control (as detailed in the respective specification). Teachers and invigilators must not offer direction or guidance to candidates where this would assist them in completing Booklet A.

The practical session for Booklet A is time limited to a maximum of one hour for each discipline of Double Award Science and a maximum of two hours for GCSE Biology, Chemistry and Physics and Single Award Science. All practical and written tasks with Booklet A must be completed in the same session on the same day.

Not all candidates or classes in a centre need to complete Booklet A at the same time. Candidates who are absent for the practical session may take it at a later date with another class completing the same practical skills assessment or should be accommodated individually by the centre.

Ideally candidates should work individually to carry out the practical tasks where this can be accommodated by centres. However, candidates are permitted to work collaboratively in groups of up to three when carrying out the practical tasks. If candidates are working in groups to complete the practical tasks, it is the Supervising Teacher's responsibility to inform candidates beforehand that each member of the group should participate in practical activity. For Health and Safety purposes, these candidates must be permitted to communicate to each other regarding the practical methodology. All candidates must work individually and independently to complete the written tasks in Booklet A.

Candidates may not have access to their laboratory notes, textbooks, wall displays or the internet at any time during the practical session. They are also not allowed access to dictionaries, spell checks and grammar facilities and should be informed of this beforehand.

Candidates must not attempt a practical assessment Booklet A more than once.

Drafting is not permitted under any circumstances and teachers must not give any feedback to candidates.

Candidates should be offered additional sheets of paper upon request that are supplied by CCEA for other external examinations.

8 Biology Practical Skills Assessment (Double Award Biology and GCSE Biology only)

While the majority of Biology practicals will be able to be completed within the given time limit, there may be biological processes/reactions in some practical assessments which take longer than the time allocated to complete.

CCEA will provide candidates with a separate Practical Set-up Instruction Sheet specific to such a practical. This sheet will detail the set-up of the practical and any initial recording that candidates may have to carry out at the point of set-up. An example is available in the GCSE Biology Specimen Assessment Materials (SAMs) which can be found on the Biology microsite. Hard copies will be distributed to centres along with Booklet A based on estimated entries.

The Confidential Candidate Practical Set-up Instruction Sheets should be held in a **confidential and secure place** along with Booklet A by the Examinations Officer. It must not be photocopied. This sheet can be distributed to the Head of Department and Supervising Teachers on the same basis as Booklet A.

Where the Practical Set-up Instruction Sheet is required, one copy of it and one copy of Practical Skills Booklet A can be accessed by the Supervising Teacher from the Examinations Officer **three working days** in advance of the **practical set-up session** which has been planned for candidates, in order to trial the practical. After the practical trialling is complete, both documents must be returned to the Examinations Officer for secure storage.

The Confidential Candidate Practical Set-up Instruction Sheet should be given to the candidates at the beginning of the practical assessment set-up session, which is not time limited. This sheet will detail the set-up of the practical and any initial recording that candidates may have to carry out in advance of completing Booklet A. Any initial recording of data will not contribute to the final marks, nor will the time required for the practical set-up be included in the time allowed for the completion of Practical Skills Booklet A.

Candidates must return the Candidate Practical Set-up Instruction Sheet at the end of the practical set-up session to the Supervising Teacher who must return them to the Examinations Officer immediately for secure storage. The Examinations Officer should then release the Candidate Practical Set-up Instruction Sheets along with Practical Booklet A's to the Supervising Teacher just before the planned session for completing Booklet A. They must be returned to candidates at the beginning of the Practical Skills Assessment to support them in completing Booklet A.

At the end of the Practical Skills Assessment session, candidates must be directed to attach the Confidential Candidate Practical Set-up Instruction Sheet to the back of the completed Practical Skills Booklet A with a treasury tag provided by the Supervising Teacher (these will be supplied to centres by CCEA in the stationery dispatch). The Supervising Teacher should then ensure that the Booklets and attached sheets are arranged in order of Candidate Number (lowest to highest) and returned to the Examinations Officer immediately for secure storage until they are collected by CCEA.

9 Application for Special Consideration (SPC)

Candidates are entitled to the same SPC arrangements in practical examinations as they are in theory examinations including extra time and a reader or scribe. Where the centre finds that a candidate/group of candidates may have been disadvantaged because apparatus or materials did not function as intended, the Supervising Teacher must send a confidential report to the Subject Officer by email detailing the issue and the Candidate Number(s) affected before the June collection date. The Supervising Teacher should liaise with the Examinations Officer regarding applying for SPC in advance of sitting Practical Booklet A.

- CCEA has developed the SPC Online Application to allow centres to submit applications for SPC.
- Please note – paper forms will no longer be accepted unless prior agreement has been approved through CCEA's Centre and Examiner Support Team. Enquiries should be forwarded to specialconsideration@ccea.org.uk
- Teachers are asked to contact their Examinations Officer, who will have access to the secure online application, for further details on how to submit an application for SPC online.
- The SPC application can be accessed from the Central Login portal on the CCEA website or by clicking the link below:
<https://wwwqualsadmin.org.uk/CentralisedLoginApplication/>

10 Contact Details

Should any queries arise regarding the trialling, conduct and content of Practical Booklet A, please direct your queries to CCEA on the following basis:

GCSE Biology and GCSE DAS Biology

Edith Finlay

Subject Officer for Biology and Agriculture

Email: efinlay@ccea.org.uk

Tel. 028 90 261200 ext. 2267

GCSE Chemistry and GCSE DAS Chemistry

Elaine Lennox

Subject Officer for Chemistry and Double Award Science

Email: elennox@ccea.org.uk

Tel. 028 90 261200 ext. 2320

GCSE Physics, GCSE DAS Physics and SAS

Gavin Gray

Subject Officer for Physics and Single Award Science

Email: ggray@ccea.org.uk

Tel. 028 90 261200 ext. 2270

If your query is about the general administration of Booklet A, please direct your query to:

Nuala Tierney

Specification Support Officer for the STEM Sector

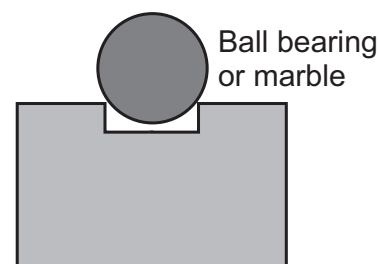
Email: ntierney@ccea.org.uk

Tel. 028 90 261200 ext. 2292

Experiment 1: Motion down a ramp

Apparatus and Materials List

- Rigid ramp at least 1.5m long with a groove that the ball bearing or marble will roll down, e.g. V shaped ramp, electrical conduit or wooden lath with a groove cut into it would be suitable.
- Marble or ball bearing, approximately 10 to 15mm in diameter.
- Metre rule.
- Stopclock or stopwatch that reads to two decimal places.
- 1 wooden block approximately 3 to 4 cm high.



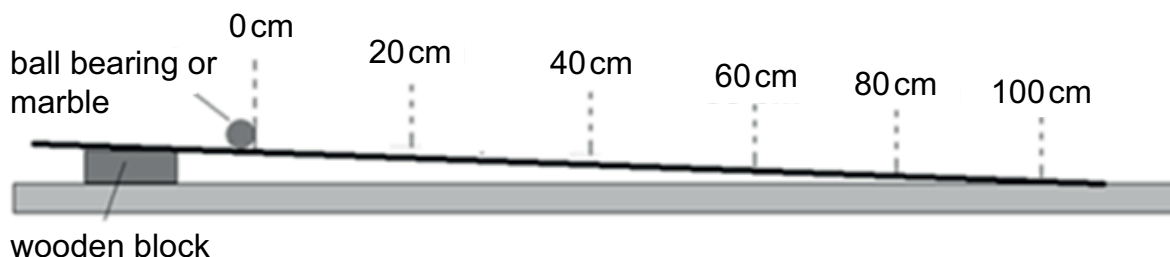
Instructions to the teacher

The apparatus shown below should be set up prior to the student using it.

The wooden block to be placed under the ramp as shown.

Teachers should arrange the height of the ramp so that the time to travel 20cm is at least 1.5s. To avoid the possibility of the candidate changing the height of the ramp it would be advisable to fix the wooden block to the ramp.

Marks at 0cm, 20cm, 40cm, 60cm, 80cm and 100cm to be marked on the ramp as shown in the diagram below.



Supervision of the Practical Assessment

Up to 30 minutes collecting results, with the students working individually or collectively in a group of maximum size three.

Then 30 minutes with all students working individually under full examination conditions with a high level of control to complete the booklet.

Experiment 2: Voltage–Current (V–I) Graph

Apparatus and Materials List

- Switch

A suitable **variable power supply is preferred** for this practical activity. A stepped voltage power supply can also be used. In both cases you must ensure that candidates can obtain **5 values** of the voltage, in steps of approximately 1 V, up to a **maximum of 6 V**, as indicated on the voltmeter connected across the coil of wire.

All markings on the power supply should be covered as should any voltmeter that is part of the power supply. This is to ensure candidates only take voltage readings from the voltmeter connected across the coil of wire.

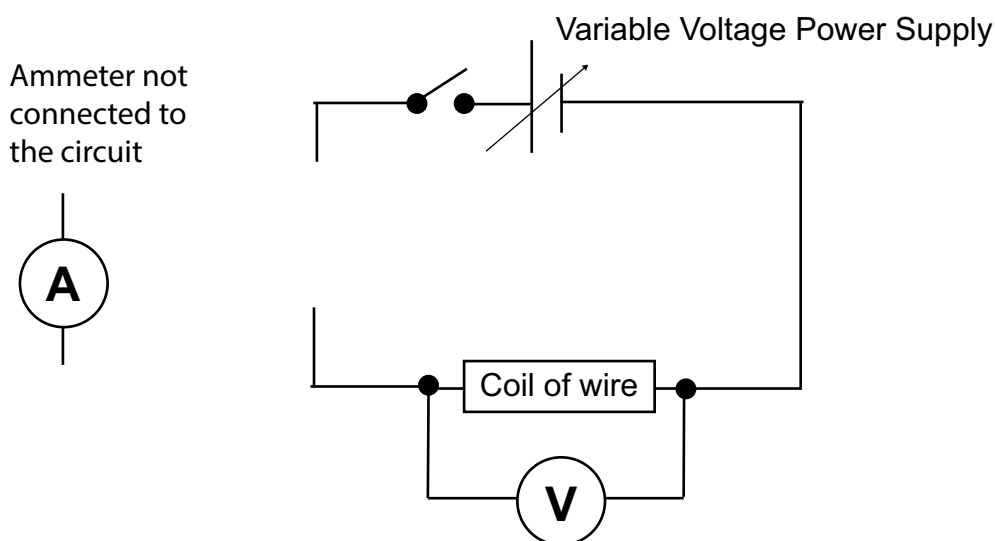
Ensure the voltage used does not exceed 6 V as indicated by the voltmeter connected across the coil of wire.

- Ammeter (analogue or digital) capable to measuring 0–2 A
- Voltmeter (analogue or digital) capable of measuring 0–6 V
- 50 cm of 28 SWG Nichrome wire (approx. 5Ω) wound into a coil on a wooden dowel (or pencil). To prevent the coil unwinding it should be fixed to the wooden dowel. It is advisable to have a number of spare coils made.
- 2 crocodile clips
- Stackable connecting leads with 4 mm plugs.

Instructions to the teacher

The partial circuit shown below should be set up by the teacher.

The ammeter should be placed beside but not connected to the circuit
A gap to be left for the ammeter.



If the candidate is able to complete the circuit without help, you should tick the box on the front cover to show no help was given.

When the circuit is complete, switch on the power supply and adjust until the voltmeter reads approximately 1.0V. Switch off the power supply.

Ensure the voltage used does not exceed 6V.

Check that power supply is switched off when the candidate has finished taking measurements.

Supervision of the Practical Skills Assessment

Up to 30 minutes collecting results, with the students working individually or collectively in a group of maximum size three.

Then 30 minutes with all students working individually under full examination conditions with a high level of control to complete the booklet.

